



## FC726

Cerberus® PRO

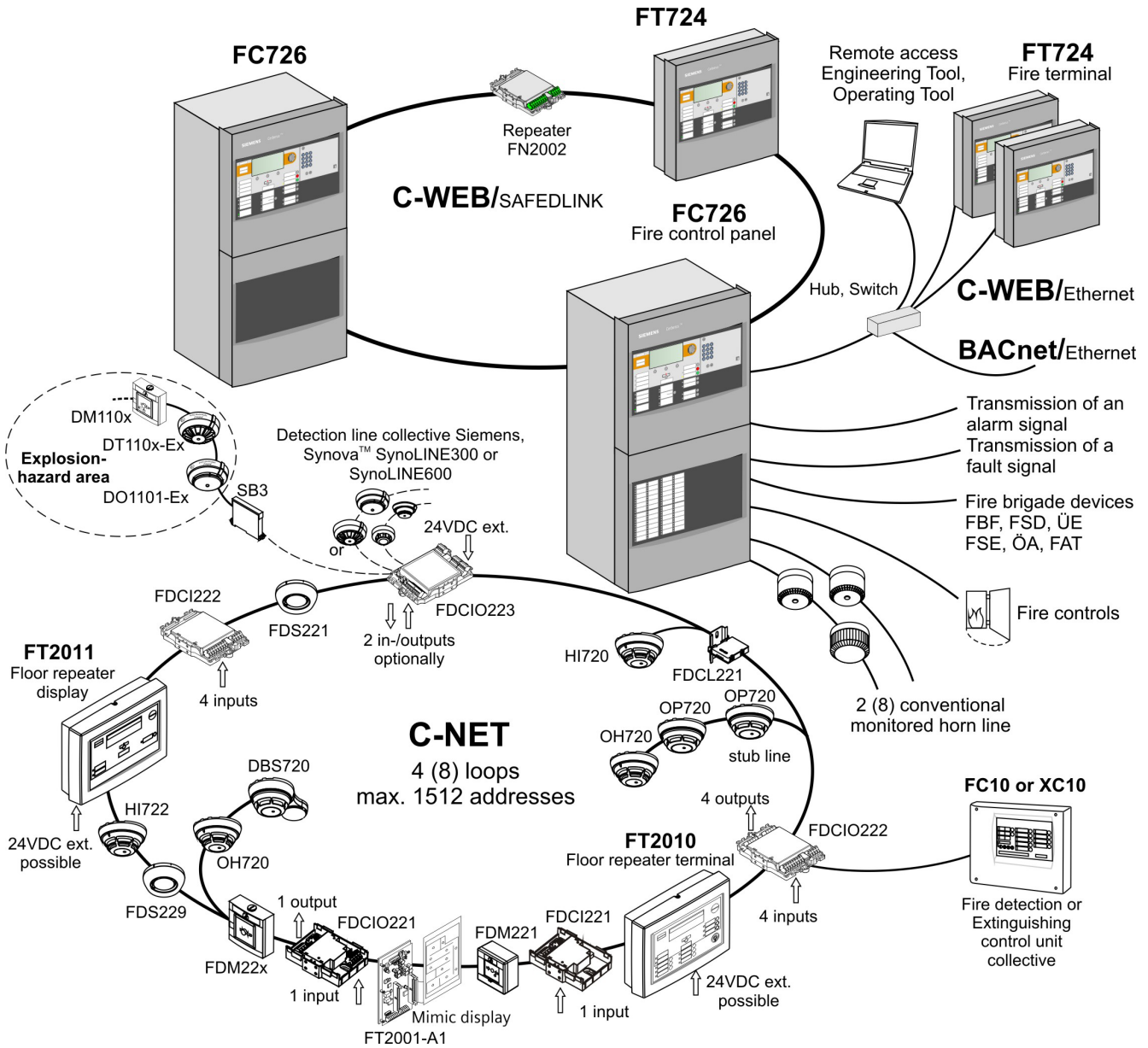
## Fire control panel



FS720 series (MP3.0)

- **Modular, prefabricated, microprocessor-controlled fire control panel with integrated user-friendly operating unit for up to max. 1512 addresses**
- **Processes signals from FD720 Cerberus PRO detectors**
- **Fire control panel can be used as stand-alone version or can be networked**
- **Up to 32 stations, such as control panels and terminals can be linked in a network (in any arrangement)**
- **Integrated degraded mode function**
- **Redundant network node, degraded mode operation according to EN54**
- **Fast Ethernet interface for a heterogeneous network**
- **Option of printer, key switches, LED displays**
- **Slots for serial ports and max. 5 extra cards**
- **Emergency power supply for emergency operating time of up to 72 hours**
- **Detection and automatic reading in (auto configuration) of all Cerberus PRO devices, ready for operation immediately**
- **Floor repeater devices, alarm devices and mimic displays in detector loop (C-NET)**
- **Flexible programming of complex applications and controls**
- **Stored data can be uploaded via remote access**
- **Firmware download of all processor controlled control panel components**

**System overview**



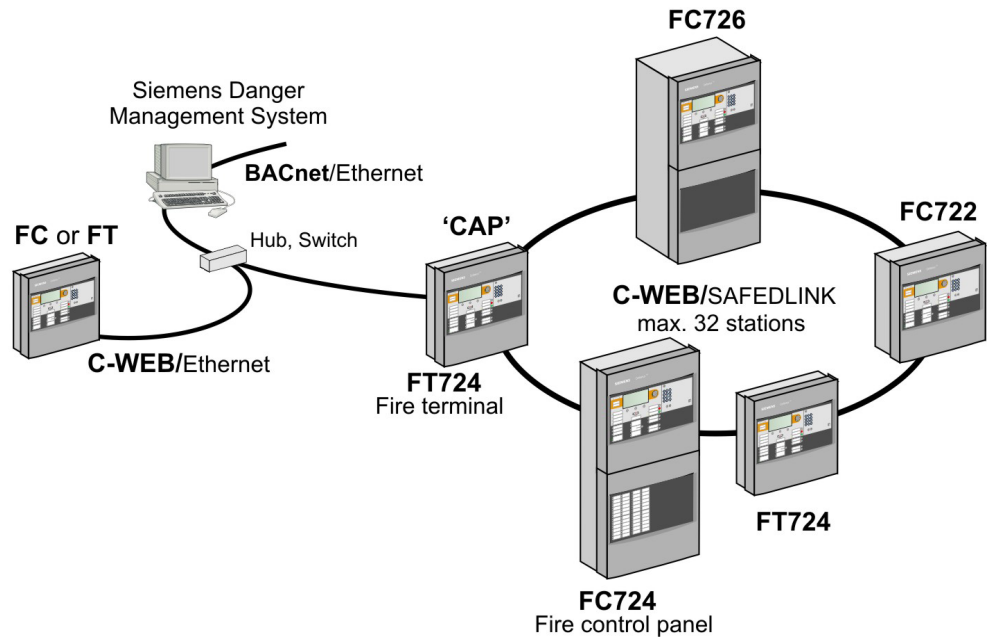
C-NET	I/Os (programmable)
4 integrated loops (8 with loop extension) + 4 loops with max. 252 addresses per line card	12 free programmable inputs/outputs per I/O card

Mixed usage possible, but with a max. of 5 cards per control panel.

## Expansion to a complex fire detection system

The high-performance C-WEB makes it possible to network up to 32 FC722/724/726 fire control panels and FT724 fire terminals together as required. The innovative redundant network nodes not only set new standards in terms of failsafe characteristics but also for high-speed data transfer.

In addition, an Ethernet connection is available at each station. This Ethernet connection enables a maximum of 4 stations (inclusive Central Access Point 'CAP') to be networked together (not EN 54-compliant).



→ For details about system networking, please refer to product data sheet A6V10227649.

## Characteristics

- The FC726 is a modular fire control panel with integrated operating unit which processes signals from Cerberus PRO FD720 devices.
- An integrated card cage with 5 slots allows
  - C-NET line cards FCL2001-A1 to be used (for extra lines)
  - I/O card FCI2008-A1 (with 12 programmable inputs/outputs)
- Mixed use of all line and I/O cards possible.
- In the event of a defect, the extra line cards can be replaced without the control panel having to be powered down.
- The fire control panel may be used as a stand-alone unit or networked.
- The control panel can be programmed into a system with high levels of flexibility using a user-friendly configuration tool (software).
- Adaptation of customer texts on the terminal itself or using the configuration tool.
- Up to 2000 events can be called up for each station according to various criteria.
- Automatic summer/winter time changeover.
- Integration to Siemens Danger Management System via BACnet

### Operating unit

The following are located on the operating unit:

- CPU module and electronic components for operating unit
- Ethernet connection
- Plug-ins for RS232, RS485 modules and networking modules (SAFEDLINK)
- Space for 'Kaba' or 'Nordic' key switch
- Space for event printer

### Periphery board

The following are located on the peripheral board:

- Connection terminals for C-NET loops, remote transmission (alarm, fault), horn outputs, programmable control inputs/outputs, monitored alarm and fault output, degrade supply, power supply
- 2 plug-ins for loop extension (C-NET)

### Card cage (5 slots)

There is a card cage on the rear housing panel for use of max. 5 line cards (C-NET) and/or I/O cards.

### Power supply unit 150 W, emergency power supply

The power supply supplies the hardware and charges the batteries

- The batteries supply the emergency power in case of power failure

### Housing

A pivoting mounting panel can be installed on the housing backplane to allow installation of:

- 1 fire brigade periphery module
- 2 sounder modules (can also be mounted onto the U-rail TS35)

### Configuration

The FXS7212 Cerberus engineering tool permits the system to be adapted to specific customers' requirements.

## Application ranges

---

The FC726 is ideally suited for medium-sized applications, e.g. hotels, high schools, office complexes, etc. or when networked as part of much larger applications. The FC726 can be used by the flexible cross-linking possibilities however also for extensive systems.

## Operation

---

Each control panel has an integrated operating panel. Additionally the control unit can be operation for another separate FT724 operator terminal.

→ For details and further information, please refer to product data sheet A6V10207898.

**Overview of FC726 fire control panel**

**Control panel**

**FC726 ZA**

Housing (Large)



4 loops  
with power supply (150 W)  
Max. battery capacity 45 Ah  
with card cage (5 slots)  
for extra line cards (C-NET)  
or I/O card

**Housing extensions**

**FH7204-Z3**

Housing (Large extension)  
430 x 398 x 260 mm



Space for larger batteries  
2 x FA2007-A1 (45 Ah) or  
2 x FA2008-A1 (65 Ah) or  
2 x FA2009-A1 (100 Ah)

**FH7205-Z3**

Housing (Large)  
430 x 796 x 260 mm



Space for larger batteries  
4 x FA2006-A1 (26 Ah) or  
4 x FA2007-A1 (45 Ah) or  
2 x FA2008-A1 (65 Ah) or  
2 x FA2009-A1 (100 Ah)

**Printer**

**FTO2001-A1**

Event printer  
can be fitted



RS232 module must be  
ordered separately

**External printer**

**DL3750+**

Matrix printer (external)  
RS232 interface



RS232 module must be  
ordered separately

**Operating add-ons**

**FCM7211-Y3**

48 display groups  
with one red + yellow LED



for retrofitting

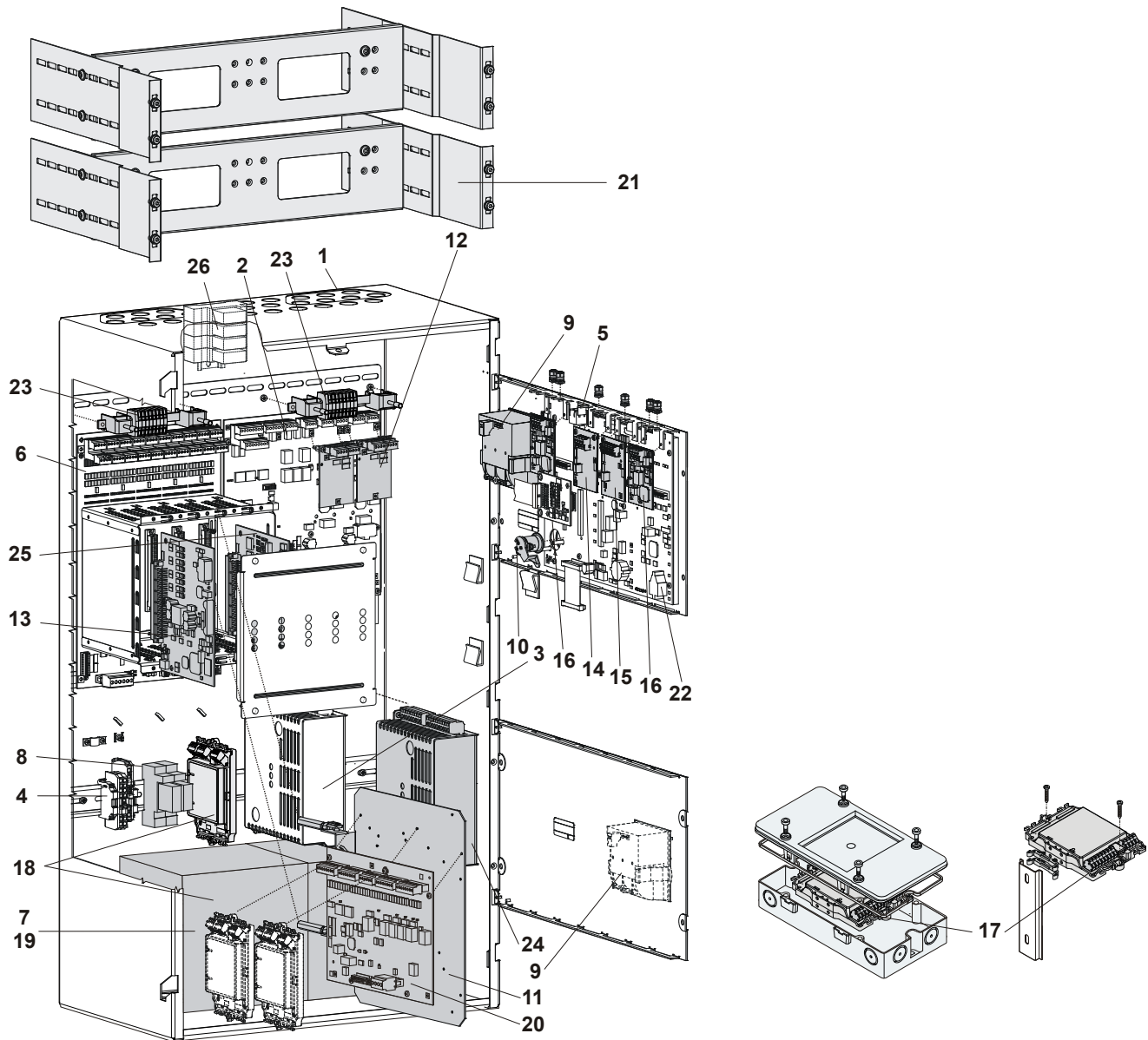
**FCM7212-Y3**

96 display groups  
with one red + yellow LED



for retrofitting


## FC726 configuration



Basic equipment	Designation	Notes
1 Rear (Large)	FHA2005-A1	
2 Periphery board (4 loops)	FCI2004-A1	Items 1-6 → basic equipment
3 Power supply (SV 24V-150 W)	V24230-Z6-A2	
4 Mains terminals on TS35 DIN rail	–	Space for socket, relay modules etc.
5 Operating unit	FCM200x-xx	System operation and CPU at the same time, incl. cover cap
6 Card cage (5 slots)	FCA2008-A1	For C-NET and I/O cards
7 Space for batteries	–	2 x 12 V / 7... 45 Ah
Expansion		
8 Relay module	Z3B171	Relay for fire controls
9 Event printer	FTO2001-A1	For event logging
10 Key switch (Kaba)	FTO2005-C1	For operating access rights
Key switch (Nordic)	FTO2006-B1	
11 Mounting plate	FHA2007-A1	E.g. for fire brigade periphery module
12 Loop extension (FDnet/C-NET)	FCI2003-A1	For loop extension of 2 to 4, number of addresses remains the same
13 Line card (C-NET)	FCL2001-A1	For extra C-NET lines, 4 lines total 252 addresses per card
14 RS485 module (isolated)	FCA2002-A1	For peripheral devices with RS485 port
15 RS232 module (isolated)	FCA2001-A1	For participant with RS232 port
16 Network module (SAFEDLINK)	FN2001-A1	For networking various stations
17 Repeater (SAFEDLINK)	FN2002-A1	For the extension of the system bus FCnet, max. 1 between 2 stations (mounting direct onto plane surface, onto a U-rail TS35 or in housings FDCH291/292)
18 Sounder module	FCA2005-A1	For split-up of 1 to 4 conventional horn lines

19	Battery (12 V, 7 Ah, VDS)	FA2003-A1	For emergency power supply
	Battery (12 V, 12 Ah, VDS)	FA2004-A1	
	Battery (12 V, 26 Ah, VDS)	FA2006-A1	
	Battery (12 V, 45 Ah, VDS)	FA2007-A1	
20	Fire brigade periphery module	FCI2001-D1	For Germany (FBF, FSD, ÜE, FSE, ÖA, KL)
21	19" mounting kit	FHA2016-A1	For the installation in 3 <sup>rd</sup> party housings
22	License key L1 or	FCA2012-A1	For Cerberus PRO-Remote
	License key (L2)	FCA2013-A1	For Cerberus PRO-Remote and BACnet
23	Cable kit (communication)	FCA2014-A1	For flexible cable connections to the modules on the operating unit
24	Power supply kit (150 W, B)	FP2005-A1	For additional power supply
25	I/O card	FCI2008-A1	12 programmable inputs/outputs
26	Relay module	Z3B171	Space for U-rail TS35 L=70 mm (on site) for max. 4 relay modules

## Technical data

 <p>Siemens Schweiz AG, CH-6301 Zug Date: see manufacturing date on the product xxxx-CPD-xxxxx</p> <p>EN 54-2, EN 54-4 Fire control panel, Safety in case of fire FC726 Technical data see Doc. A6V10210355</p>	Mains voltage	AC 230 V
	Power supply	150 W
	Operating voltage	DC 21 ... 28.6 V
	Operating current	max. 5 A
	Battery capacity	2 x 12 V, 45 Ah
	Battery monitoring / mains monitoring	yes / yes
	Connectable detector series	Cerberus PRO FD720 (C-NET)
	Number of C-NET addresses	max. 1512
	Number of lines	
	Loops with loop extension	4 / 8
	– stub lines	8 / 16
	C-NET (4 per line card)	max. 20
	Integrated inputs/outputs	
	– Relay output	
– Remote transmission alarm	1	
– Remote transmission fault	1	
– Monitored outputs		
– Alarm	1	
– Fault	1	
– Horn	2	
– Free programmable inputs/outputs	12	
Free programmable inputs/outputs with max. 5 extra	60 (12 per card)	
I/O cards		
Operating unit	integrated	
Plug-in position for RS232, RS485 serial ports	2	
Plug-in position for network modules	2	
Plug-in position for loop extension	2	
Slots for line cards (on fitted card cage)	max. 5	
Mounting spaces for cable kit (communication)	2	
Sounder module	max. 2	
Ethernet connection RJ45	1	
Operating temperature	-8 ... +42 °C	
Storage temperature	-20 ... + 60 °C	
Humidity (no condensation permitted)	≤95 % rel.	
Dimensions (W x H x D)	430 x 796 x 260 mm	
Color		
– Housing	grey, ~RAL 7035	
– Cover cap	grey, ~RAL 050 0000	
Protection category (IEC 60529)	IP30	
Standards	EN 54-2, EN 54-4	
Approvals		
– VdS	pending	
– LPCB	pending	

## Details for ordering

	Type	Art. no.	Designation	Weight
Extensions	FC726-ZA	S54400-C87-A1	Fire control panel	20.800 kg
	Z3B171	BPZ:4843830001	Relay module 250 V AC / 10 A (1 relay)	0.042 kg
	FTO2001-A1	A5Q00010126	Event printer	0.250 kg
	–	A5Q00017619	Replacement printer rolls (10 rolls)	0.090 kg
	FTO2005-C1	A5Q00010113	Key switch (Kaba)	0.013 kg
	FTO2006-B1	A5Q00010129	Key switch (Nordic)	0.050 kg
	FHA2007-A1	A5Q00010151	Mounting plate	0.800 kg
	FCI2003-A1	A5Q00010136	Loop extension (C-NET)	0.064 kg
	FCL2001-A1	A5Q00009875	Line card (C-NET)	0.120 kg
	FCI2008-A1	S54400-A6-A1	I/O card (programmable)	0.120 kg
	FCA2002-A1	A5Q00009923	RS485 module (isolated)	0.067 kg
	FCA2001-A1	A5Q00005327	RS232 module (isolated)	0.068 kg
	FN2001-A1	A5Q00012851	Network module (SAFEDLINK)	0.077 kg
	FN2002-A1	S24236-B2502-A1	Repeater (SAFEDLINK)	0.154 kg
	FCA2005-A1	A5Q00014866	Sounder module	0.140 kg
	FCA2014-A1	A5Q00023027	Cable kit (communication)	0.224 kg
	FCI2001-D1	A5Q00013100	Fire brigade periphery module	0.482 kg
	FH7204-Z3	S54400-B89-A1	Housing (Large extension)	11.800 kg
	FH7205-Z3	S54400-B86-A1	Housing (Large)	15.400 kg
	FHA2016-A1	A5Q00020179	19" mounting kit	3.000 kg
	FCM7211-Y3	S54400-F75-A1	Operating add-on (2xLED-ind.)	2.600 kg
	FCM7212-Y3	S54400-F88-A1	Operating add-on (4xLED-ind.)	2.600 kg
	Auxiliary power supply	FP2003-A1	A5Q00016005	Power supply kit (70 W)
FP2004-A1		A5Q00020825	Power supply kit (150 W, A) for installation into empty housing	1.366 kg
Batteries	FP2005-A1	A5Q00018779	Power supply kit (150 W, B) for cascading	1.100 kg
	FA2003-A1	A5Q00019353	Battery (12 V, 7 Ah, VDS)	2.450 kg
	FA2004-A1	A5Q00019354	Battery (12 V, 12 Ah, VDS)	3.930 kg
	FA2005-A1	A5Q00019677	Battery (12 V, 17 Ah, VDS)	5.640 kg
	FA2006-A1	A5Q00019356	Battery (12 V, 26 Ah, VDS)	7.572 kg
	FA2007-A1	A5Q00022897	Battery (12 V, 45 Ah, VDS)	15.320 kg
	FA2008-A1	A5Q00019357	Battery (12 V, 65 Ah, VDS)	22.000 kg
	FA2009-A1	A5Q00023101	Battery (12 V, 100 Ah, VDS)	32.360 kg
	Software license	FCA2012-A1	A5Q00018856	License key (L1)
FCA2013-A1		A5Q00018857	License key (L2)	0.010 kg
External printer	DL3750+	A5Q00023962	Matrix printer (external)	7.300 kg
Spare part	–	A5Q00023963	Black typewriter ribbon for printer DL3750+	0.078 kg